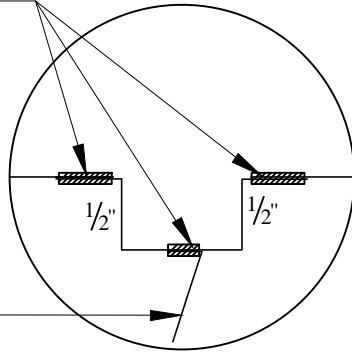
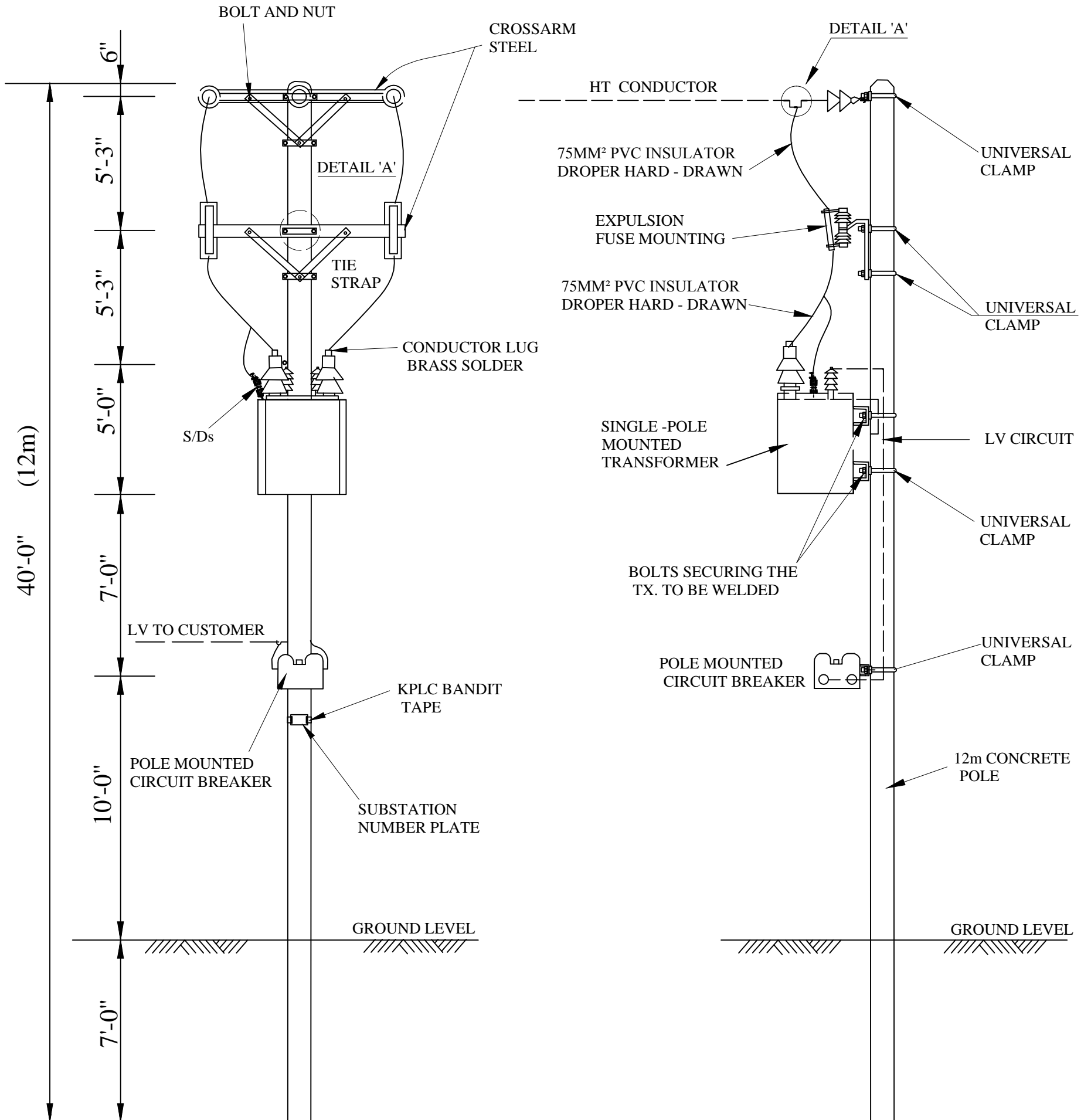


COMPRESSION JOINTS



75MM² PVC INSULATOR
DROPER HARD - DRAWN

DETAIL 'A'



SINGLE POLE MOUNTED SUBSTATION at 17' - 0" min ground level clearance
(WELDED FOR VANDAL PROOFING)

Kenya Power

SK. No.

