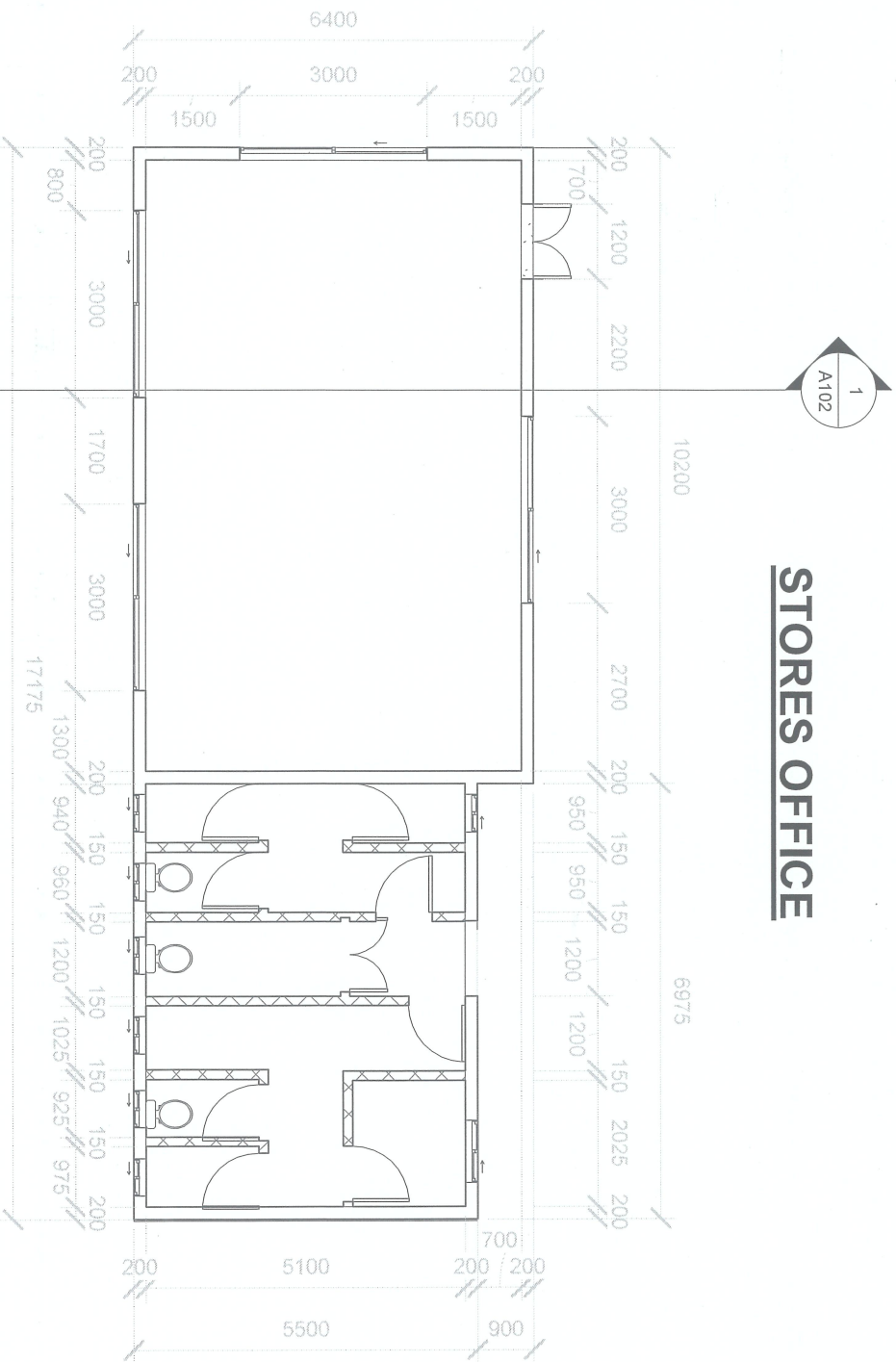
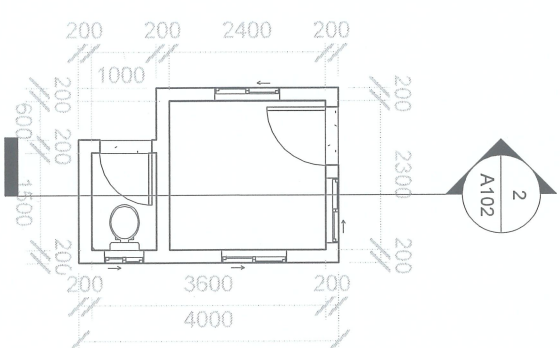


FLOOR PLAN

STORES OFFICE



GUARD HOUSE



NOTES

- All dimensions are in mm unless otherwise specified.
- Drawing is according to the stated scale
- The contractor must check and verify all dimensions before commencement of any work
- All walls less than 150 mm thick to be reinforced with hoop iron at every alternate course
- Depth of foundation to be determined on site to S.E.'s approval
- All adjacent R.C. work and masonry walls to be tied with hoop iron at every alternate course
- All openings to have permanent ventilation except Wc & Sh. internal doors
- All soil under slab around and under foundation to be poisoned for termite control
- For all R.C. works, refer to the structural Engineer's details
- All dimensions to be use unless otherwise instructed by the PM



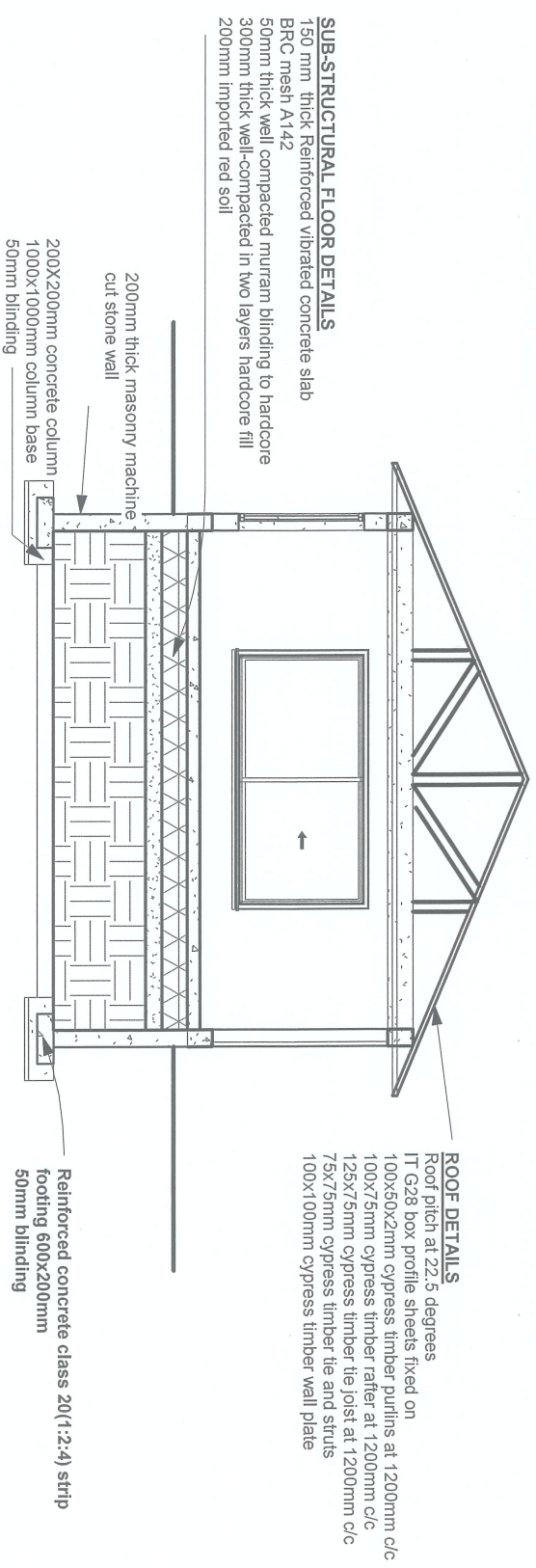
PROPOSED TAITA TAVETA GUARD HOUSE AND STORES OFFICE
KENYA POWER AND LIGHTING COMPANY PLC

REGIONAL APPROVAL	DESIGNATION	DATE	SIGN

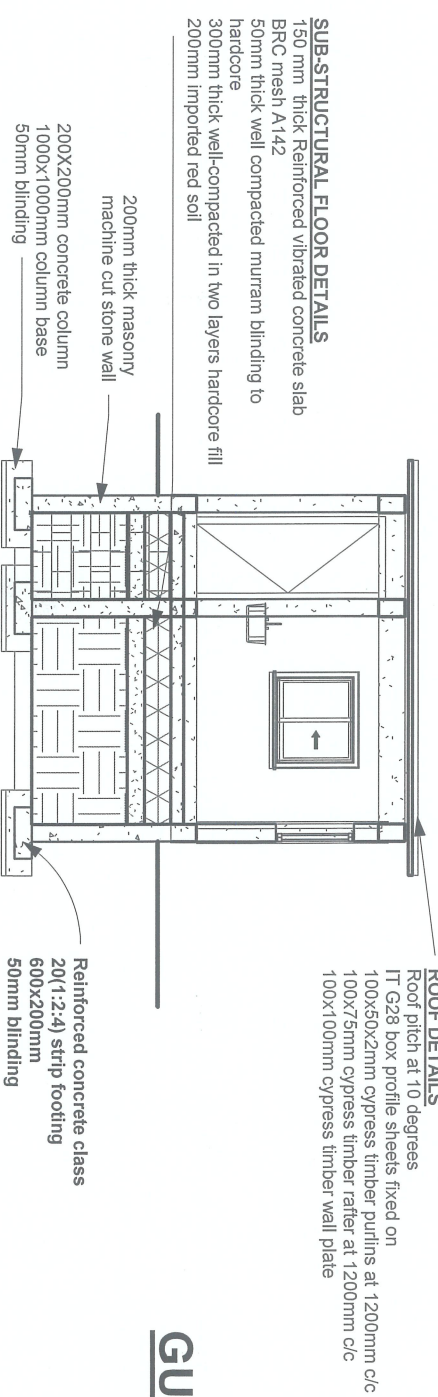
Date
12.04.2024
Drawn by
S.M Musyoka
Scale

SBM

CROSS-SECTION VIEW



STORES OFFICE VIEW



GUARD HOUSE SECTION VIEW

NOTES

- All dimensions are in mm unless otherwise specified.
- Drawing is according to the stated scale
- The contractor must check and verify all dimensions before commencement of any work
- All walls less than 150 mm thick to be reinforced with hoop iron at every alternate course
- Depth of foundation to be determined on site to S.E.'s approval
- All adjacent R.C. work and masonry walls to be tied with hoop iron at every alternate course
- All openings to have permanent ventilation except Wc & Sh. internal doors
- All soil under slab around and under foundation to be poisoned for termite control
- For all R.C. works, refer to the structural Engineer's details
- All dimensions to be use unless otherwise instructed by the PM



PROPOSED TAITA TAVETA GUARD HOUSE AND STORES OFFICE
KENYA POWER AND LIGHTING COMPANY PLC

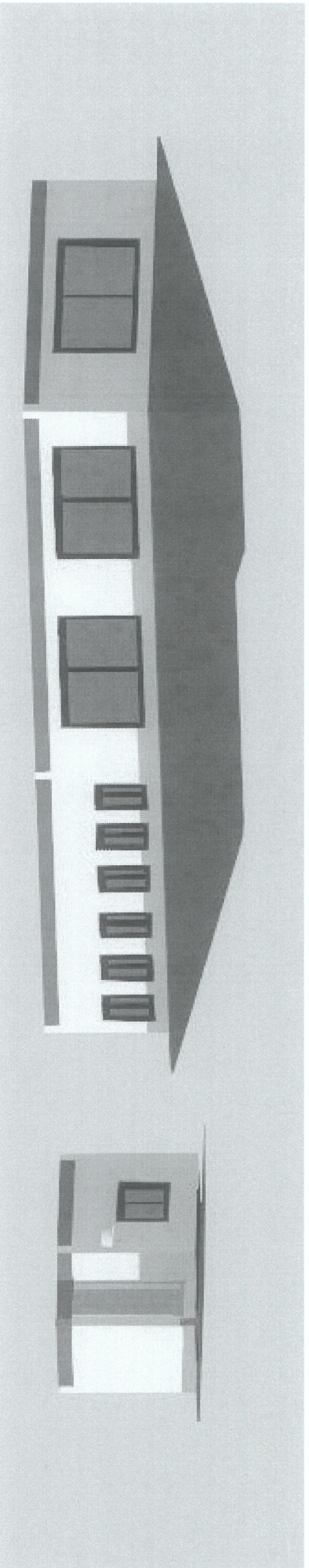
REGIONAL APPROVAL	DESIGNATION	DATE	SIGN

Date	12.04.2024
Drawn by	S.M Musyoka
Scale	

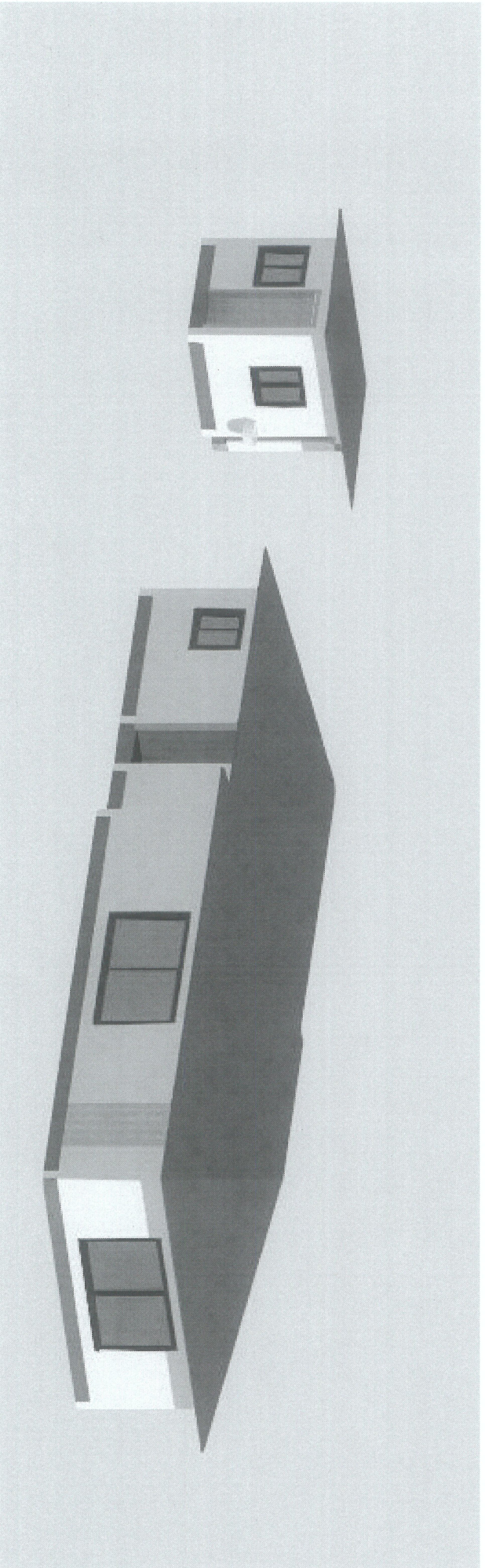
Handwritten signature

3D VIEW

SOUTH ELEVATION VIEW



NORTH ELEVATION VIEW



NOTES

- All dimensions are in mm unless otherwise specified.
- Drawing is according to the stated scale
- The contractor must check and verify all dimensions before commencement of any work
- All walls less than 150 mm thick to be reinforced with hoop iron at every alternate course
- Depth of foundation to be determined on site to S.E's approval
- All adjacent R.C. work and masonry walls to be tied with hoop iron at every alternate course
- All openings to have permanent ventilation except Wc & Sh. internal doors
- All soil under slab around and under foundation to be poisoned for termite control
- For all R.C. works, refer to the structural Engineer's details
- All dimensions to be use unless otherwise instructed by the PM



Kenya Power

PROPOSED TAITA TAVETA GUARD HOUSE AND STORES OFFICE

KENYA POWER AND LIGHTING COMPANY PLC

REGIONAL APPROVAL	DESIGNATION	DATE	SIGN

Date	12.04.2024
Drawn by	S.M Musyoka
Scale	

S.M