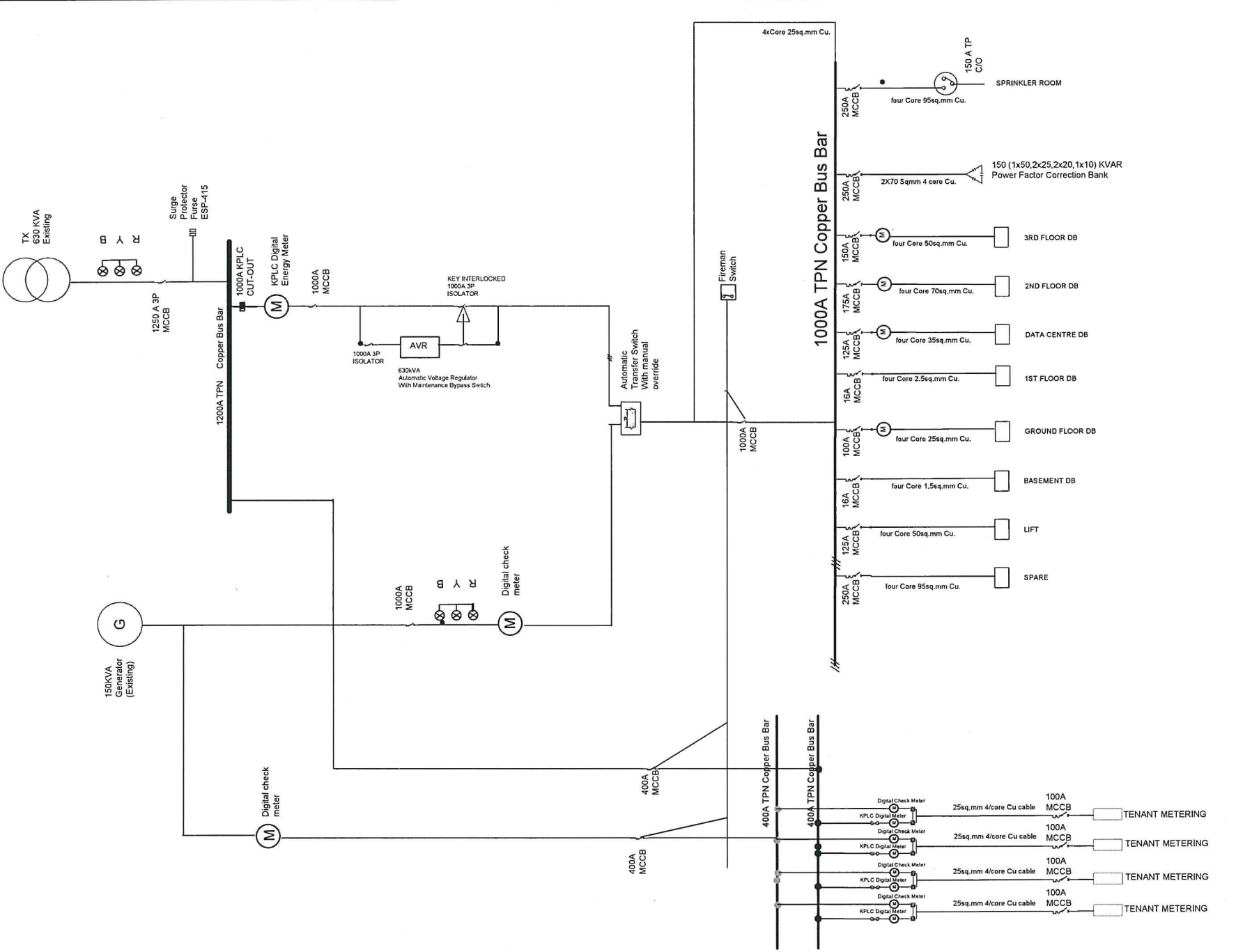


2000/10/10



GENERAL NOTES	
NO	1
<p>1) All dimensions as the drawing are in MM</p> <p>2) Do not scale from this drawing. Use figured dimensions ONLY</p> <p>3) All Drawings must be read in conjunction with architectural and mechanical Eng. layouts</p> <p>4) positions of outlets to be marked and approved prior to installation of boxes</p> <p>5) The position of various structural items as shown on the drawing are provisional. Final positions to be confirmed in the detailed working drawings</p> <p>6) The contractor shall check all door swings and ensure the switches are installed on the lock side</p>	
NO	2
REVISION NOTES	
NO	
<p>Project: NEW LV SWITCHBOARD FOR ELECTRICITY HOUSE KISUMU</p> <p>Client: KENYA POWER</p> <p>Drawing Title: LV SWITCHBOARD - ROOM</p> <p>Scale: _____ Job No: _____</p> <p>Drawing No: 01 Revision No: _____</p> <p>Design: SELLY SADI Drawn: SELLY SADI</p> <p>Date: APRIL 2021 Checked: CJKM</p> <p>Architect: _____</p>	