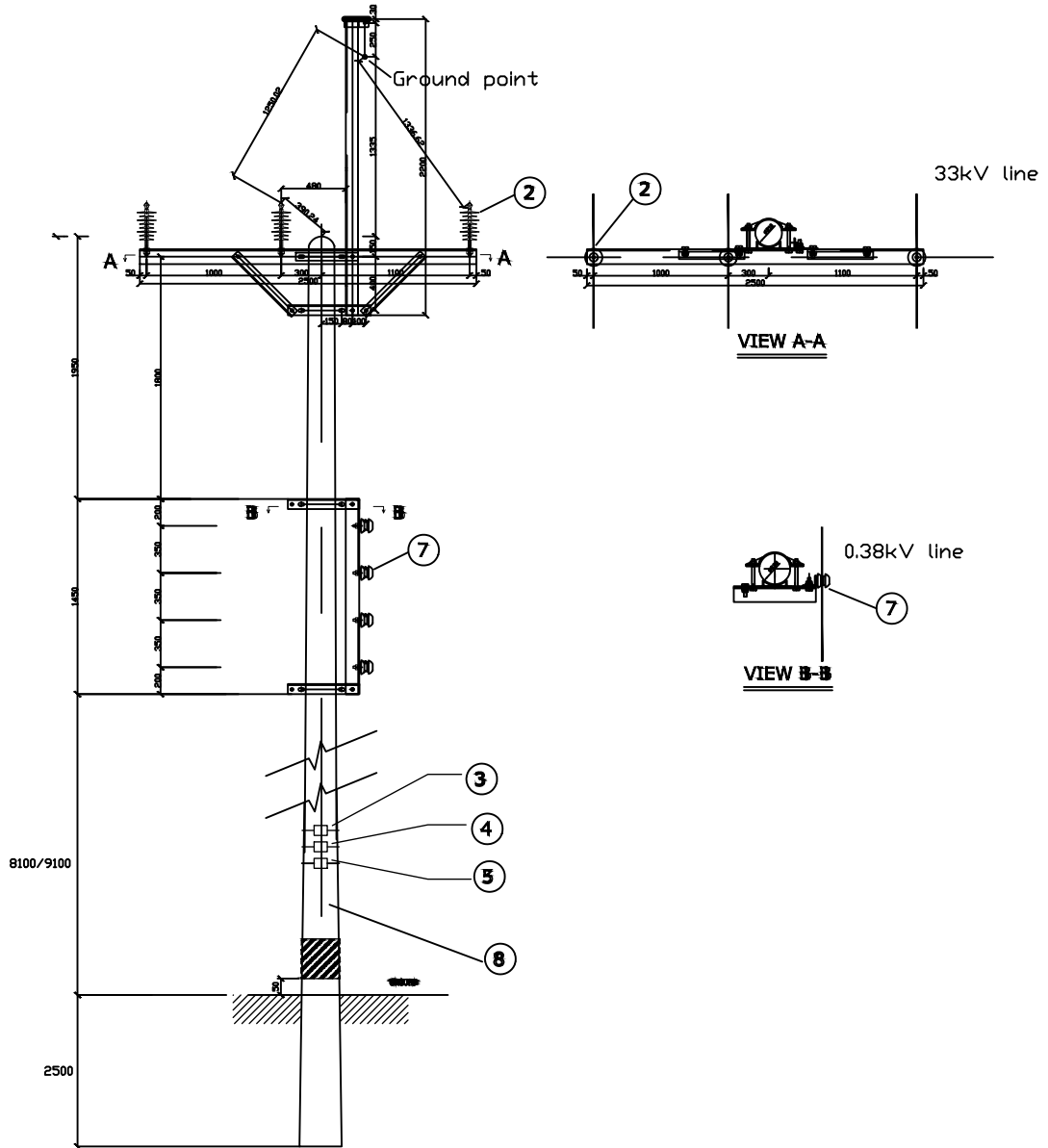


BILL OF MATERIALS

No.	DESCRIPTION	SIZE	QTY.	DWG No.
1	ASSEMBLY FOR 33/0.415KV HORIZONTAL DUAL FORMATION INTERMEDIATE POLE II		1	
2	3KV PIN INSULATOR		3	
3	POLE PALIS		1	
4	PLATE BRACK		1	
5	WASLING SCREW		1	
6	ASSEMBLY FOR 0.38KV HORIZONTAL CONNECTION		1	
7	0.38KV PIN INSULATOR		4	
8	CONCRETE POLE	16m/23m	1	



APPROVED BY	NAME	DATE	SIGN

CHECKED	ENGINEER I/C	REF.	REVISION	DATE	SIGN	CHECKED	DATE
		1					
		2					
		3					
		4					
		5					
		6					

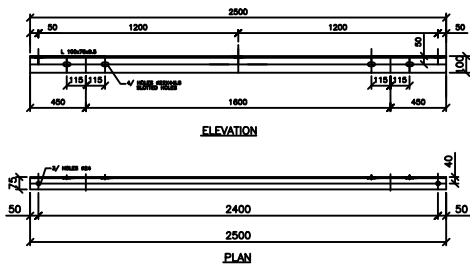
**TYPICAL STRUCTURE DRAWING FOR 33KV OVERHEAD LINES
ASSEMBLY FOR 33/0.415KV HORIZONTAL INTERMEDIATE POLE**

SHEET 33/20C

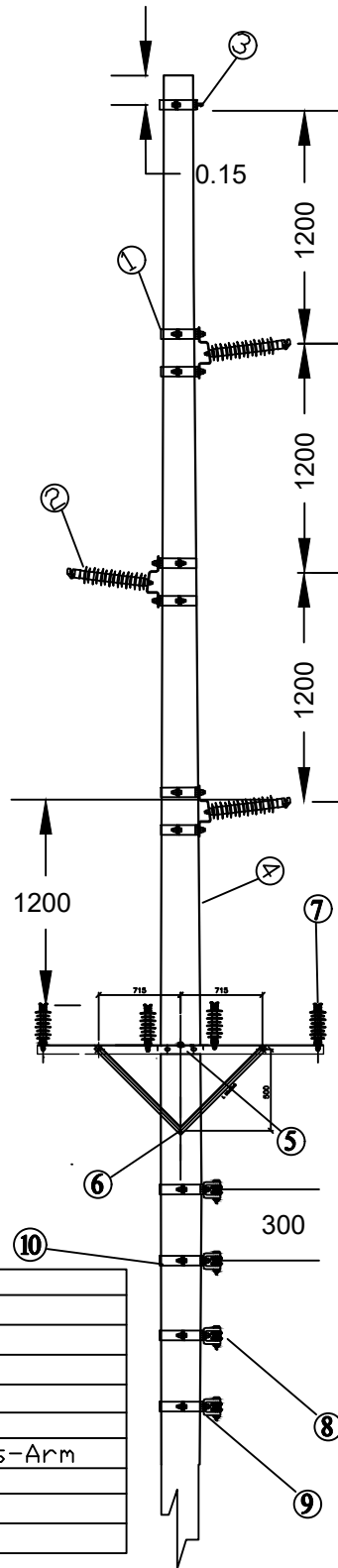
K.P.& L.Co LTD

SK. No.11258

DRAWN: MUDRU MAY 2023



CROSS ARM DETAIL
(REF'D. 3 No.)



Item	MATERIAL DESCRIPTION
1	178-203mm Heavy Duty Universal Clamp
2	33kV Polymeric Post Insulator
3	OPGW Suspension Clamp
4	15M Concrete Pole
5&10	203-229mm Heavy Duty Universal Clamp
6	1630mm X 70mm X 70mm x 6mm Steel Cross-Arm
7	33kV Polymeric Pin Insulator
8	Shackle Insulator
9	D-Iron Bracket

APPROVED BY	NAME	DATE	SSN

CHECKED ENGINEER I/C	REF.	REVISION	DATE	SSN	CHECKED	DATE
PRINCIPAL D/SMAN	1					
	2					
	3					
	4					
	5					
	6					
	7					
	8					
	9					
	10					

33/11/0.415KV FORMATION

SHEET 33/21C

K.P.& L.Co LTD

SK. No.11258