



Kenya Power

The Kenya Power & Lighting Co. Ltd
Central Office - P.O. Box 30099, Nairobi, Kenya
Telephone - 254 02 3201000
Fax No. 254 02-3201889
Stima Plaza, Kolobot Road

Our Ref: **KP1/9A.2/OT/080/NM/22-23**

15th ,May 2023

M/s ALL BIDDERS

Dear Sir/Madam,

RE: ADDENDUM NO.2 TENDER No. KP1/9A.2/OT/080/NM/22-23 FOR PROVISION OF ROADS/PAVEMENT OPENING/CUTTING, DUCTING AND REINSTATEMENT SERVICES

RELATIONSHIP WITH THE PRINCIPAL TENDER DOCUMENT

Following clarification arising from prospective bidders during pre-bid meeting , we found it necessary to make amendment and clarifications to the Principal Tender Document (hereinafter abbreviated as the PTD) for Provision of Roads/Pavement Opening/Cutting, Ducting and Reinstatement Services . The Tender Already Uploaded On The KPLC Portal.

1. TENDER REQUIREMENTS CLARIFICAIONS

No.	REQUEST FOR CLARIFICATION	OUR RESPONSE
1.	Is the unit of measure for service cables now in meters?	Yes. Bidders to familiarize themselves with the units of measure for all services and bid accordingly.
2.	Should contractors indicate the Bill of Quantities (BQ) totals?	Yes.
3.	There's a requirement in the Form of Tender to for the bidder to fill the contract sum. Is this necessary?	Yes.
4.	Digitization process slowing payments	Operational matter to be addressed by KPLC outside of tender process
5.	Will KPLC consider inflation in its evaluation	KPLC will use market rates to assess adequacy of bidder's rates
6.	NCA documents cannot be renewed before expiry of current documents. What is the consideration for documents that are about to expire?	Documents that shall be valid up-to the tender closing date shall be accepted.
7.	Should the BQ be typed or handwritten?	Handwritten
8.	What rates will KPLC use to assess bidders rates for abnormally low rates and abnormally high rates? Can KPLC share the rates with bidders?	KPLC shall use market rates. KPLC cannot share its rates with bidders as it is against regulations.
9.	Can the Tender Closing Date be extended in light of the clarifications made in the Pre-Bid meeting.	Extension period has been granted. New closing date 24th.05.2023 AT 11.00AM

No.	REQUEST FOR CLARIFICATION	OUR RESPONSE
10.	Service level agreement signing during contract execution.	SLA shall be reviewed to enhance process.
11.	Can bidders be allowed to select several FBBUs, and KPLC to award them only in the FBBU where they will be the lowest evaluated bidder?	You are only required to select one FBBU.
12.	The contract period to read one year and not 2 years	The contract will be for one year (twelve months)
13.	The selection of FBBU/REGION/CENTRAL OFFICE IS indicating TWO	<p>To correct and read select only one FBBU/REGION or CENTRAL OFFICE.</p> <p>SECTION VI - WORK AREA CLUSTERS</p> <p><u>PROPOSED AREA OF WORK BY BIDDERS</u></p> <p>Bidders are required to tick (✓) ONE AREAS ONLY out of the 26 listed below.</p> <p>The scope of works entails new underground cables installations and also underground cables maintenance/breakdowns/emergency works.</p>
14.	NCA CERTIFICATE Roads Construction Class Or Civil Works Class	Mandatory For Underground Cable Works and services.

TENDER CLOSING DATE

The tender closing date has been extended from 16th, May 2023 to 24th, May 2023 **11:00 Am and opening on the same day at 11.30Am**. At the Auditorium STIMA PLAZA, to allow prospective bidders sufficient time to respond.

All other terms and conditions remain as per the Principal Tender Document (PTD)

Yours faithfully,

For: **THE KENYA POWER & LIGHTING CO.PLC**



DR. JOHN NGENO
GENERAL MANAGER SUPPLY CHAIN & LOGISTICS

DETAILED EVALUATION TABLE (PART II)

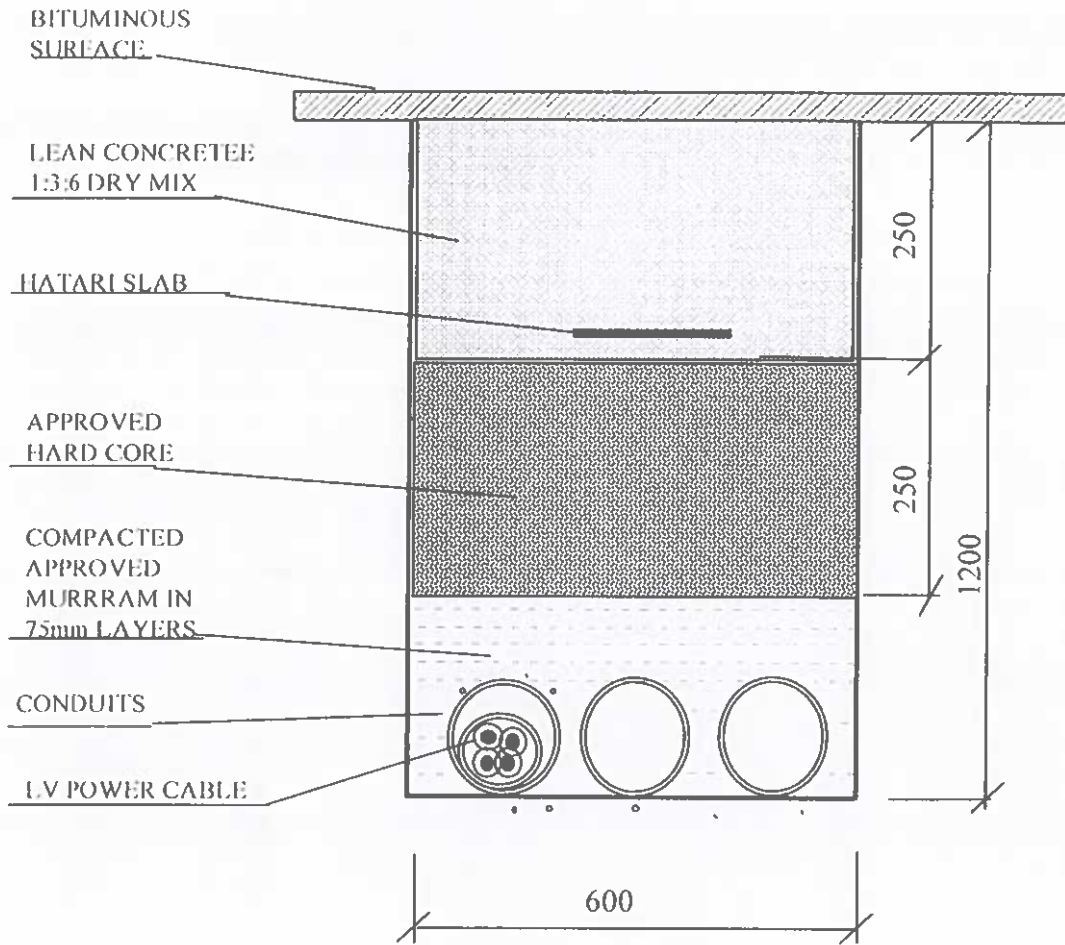
Sr. No.	Criteria	KPLC Requirement & Scores	Bidder's Response Marks
3.3.1	<p>Experience as a contractor in roads/pavements opening and reinstatement:-</p> <p>a) Successful excavation and reinstatements of roads and pavements measuring cumulative length at least 20 km</p> <p>b) Successful excavation and reinstatements of roads and pavements measuring cumulative length at least 15 km</p> <p>c) Successful excavation and reinstatements of roads and pavements for underground cables trenches measuring cumulative length at least 10 km</p> <p>d) Successful excavation and reinstatements of roads and pavements for underground cables trenches measuring cumulative length at least 5 km .</p> <p align="center">NB: SHOULD PROVIDE EVIDENCE OF HAVING DONE SUCH WORKS BEFORE</p>	<p>a) Maximum marks are 20.</p> <p>b) Maximum marks are 17.5</p> <p>c) Maximum marks are 12.5</p> <p>d) Maximum marks are 10</p>	
3.3.2	<p>Experience as a contractor in road cutting/pavements opening and reinstatements field Excavations & reinstatements for water pipes, fiber optic, etc:</p> <p>a) Successful completion of at least 10 similar projects</p> <p>b) Successful completion of at least 7 similar projects</p> <p>c) Successful completion of at least 4 similar projects</p> <p align="center">NB: SHOULD PROVIDE</p>	<p>a) Maximum marks are 10.</p> <p>b) Maximum marks are 5.</p> <p>d) Maximum marks are 2.</p>	

	EVIDENCE, COMPLETION CERTIFICATES, OF SUCH PROJECTS		
3.3.3	Qualification of Team Leader (Project Manager) in the company who will actively be involved in the proposed road cutting/pavement opening and high voltage electrical underground cables laying. Evidence of registration with	a) Degree & above -10 Marks b)HND/Diploma – 6 Marks c) Certificate - 3	
	Relevant professional bodies. (Provide Detailed CV accompanied by relevant academic and professional certificates, (Civil or Electrical). Telephone contacts must be provided)	Marks	
3.3.4	Experience of the Team Leader (Project Manager) who will actively be involved in the proposed road cutting/pavement opening and high voltage electrical underground cables laying. (This has to be captured in the CV that is accompanying the relevant academic and professional certificates)	a) Over 10 years - 10 Marks b) Over 6 years- 6 Marks c) Over 3 years -3 Marks	
3.3.5	Qualification of the Safety Officer who will actively be involved in the proposed road cutting/pavement opening and high voltage electrical underground cables laying. Evidence of registration with relevant professional bodies. (Provide detailed CV accompanied by relevant academic and professional/safety certificates. Telephone contacts must be provided.	a) Degree & above, -5 Marks b) HND/ Diploma & above, 3 Marks c) Certificate -2 Marks	

3.3.6	Experience of the Safety Officer who will actively be involved in the proposed road cutting/pavement opening and high voltage electrical underground cables laying. (This has to be captured in the CV that is accompanying the relevant academic and professional Safety certificates)	a) Over 10 years , - 5 Marks b) Over 6 years 3 Marks c) Over 3 years -2 Marks	
3.3.7	Qualification of the Civil Engineering persons who will actively be involved in the proposed road cutting/pavement opening and high voltage electrical underground cables laying. Evidence of registration with relevant professional bodies eg ERC,,NCA. (Provide detailed CV accompanied by relevant academic and professional certificates. Telephone contacts must be provided)	a) Degree & above -5 Marks b) HND/Diploma - 3 Marks c) Certificate- 2 Marks	
3.3.8	Experience of the Civil Engineering personnel who will actively be involved in the proposed road cutting/pavement opening and high voltage electrical underground cables laying. (This has to be captured in the CV that is accompanying the relevant academic and professional Civil Eng. certificates)	a) Over 10 years - 5 Marks b) Over 6 years - 3 Marks c) Over 3 years - 2 Marks	
3.3.9	Qualification of the Electrical Engineering persons who will actively be involved in the proposed road cutting/pavement opening and high voltage electrical underground cables laying. Evidence of registration with relevant professional bodies eg ERC, (Provide detailed CV accompanied by relevant academic and professional certificates. Telephone contacts must be provided)	a) Degree & above -5 Marks b) HND/Diploma - 3 Marks c) Certificate- 2 Marks	
3.3.10	Experience of the Electrical Engineering personnel who will actively be involved in the proposed road cutting/pavement opening and high voltage electrical underground cables laying. (This has to be captured in the CV that is accompanying the relevant academic and professional Electrical Eng. Certificates)	a) Over 10 years - 5 Marks b) Over 6 years 3 Marks c) Over 3 years -2 Marks	
3.3.11A	Transport and Machinery a) Adequacy as detailed in FORM TPTM 1	a) Complete list of transport and machinery filled- 5 marks b) Incomplete list of transport and machinery-2 marks	
3.3.11B	a) Evidence of ownership and availability as detailed in FORM TPTM 1	a) Evidence of ownership- 5 marks b) Only a few owned -2 marks c) Letter,(valid), of leasing/hiring -4 marks	

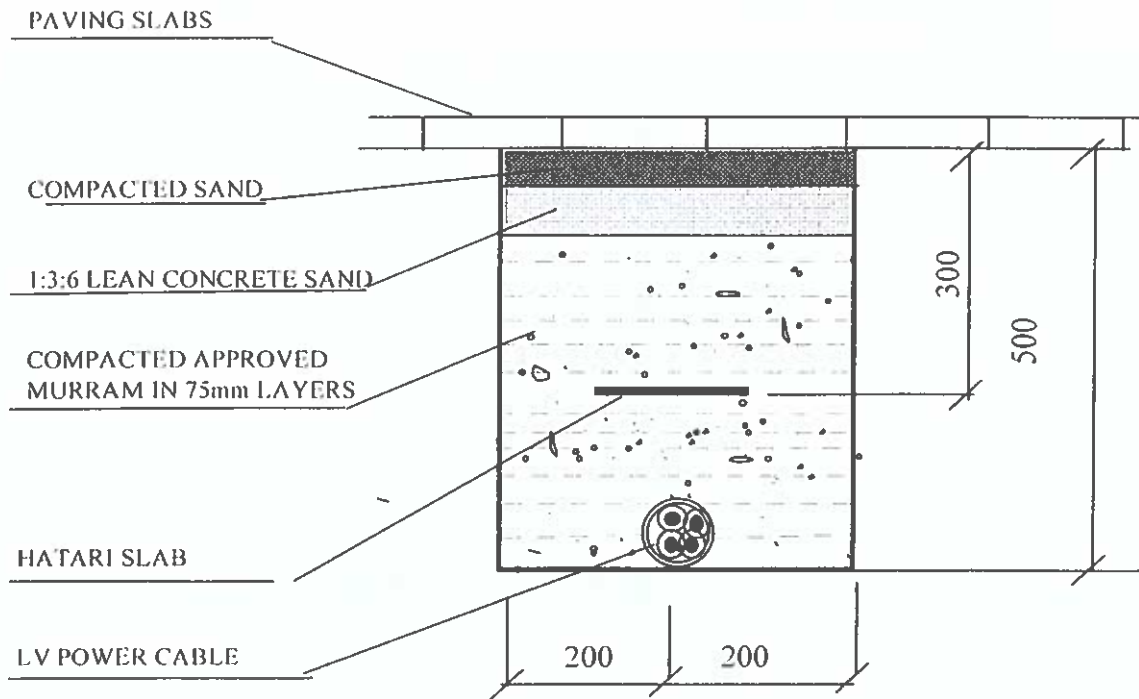
3.3.12A	Tools and Equipment a) Adequacy as detailed in FORM TAE 2	a) Complete list of tools and equipment filled-5 marks b) Incomplete list of tools and equipment filled-2 marks	
3.3.12B	b) Evidence of ownership and availability as detailed in FORM TAE 2	a) Evidence of ownership-5 marks b) Only a few owned- 2 mark c) Letter (valid) of leasing/hiring- 4 marks	
	TOTAL MARKS (PASS MARK 70 %)	100	

FIG 01 PUBLIC ROAD CROSSING LV CABLE TRENCH DETAILS



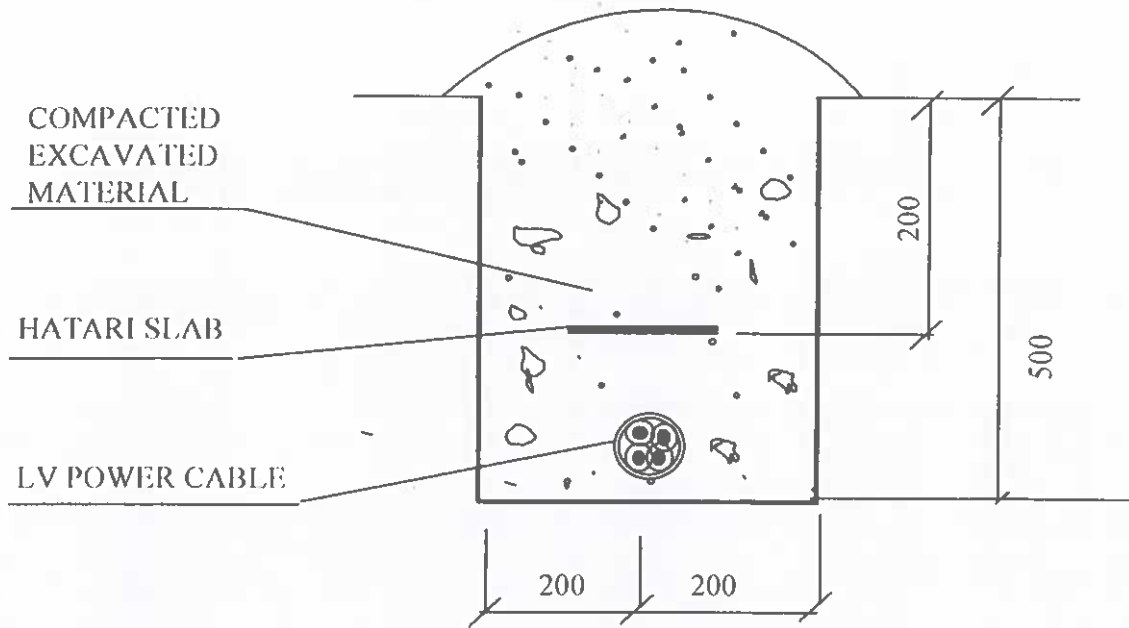
NB. The ducts/conduits will be installed as required including covered with 150mm concrete surround

FIG 2 LV CABLE ALONG FOOTPATHS/WALKWAYS TRENCH DETAILS



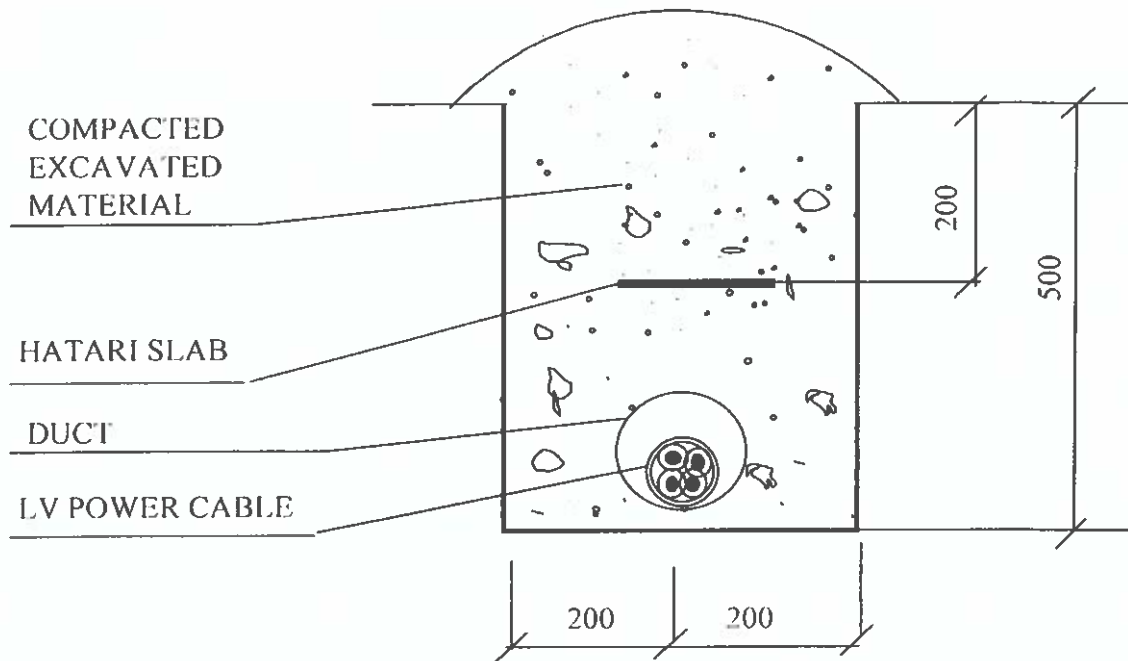
3.8 LV/MV CABLES BURIAL DETAILS

FIG 2A DIRECT BURIED ARMoured LV CABLE OPEN SPACES TRENCH DETAIL



Signature

FIG 2A BURIED AND DRAWN IN DUCTS LV/ MV CABLE OPEN SPACES TRENCH DETAILS



NB. The ducts/conduits will be installed as required including covered with 150mm concrete surround.

[Handwritten signature]