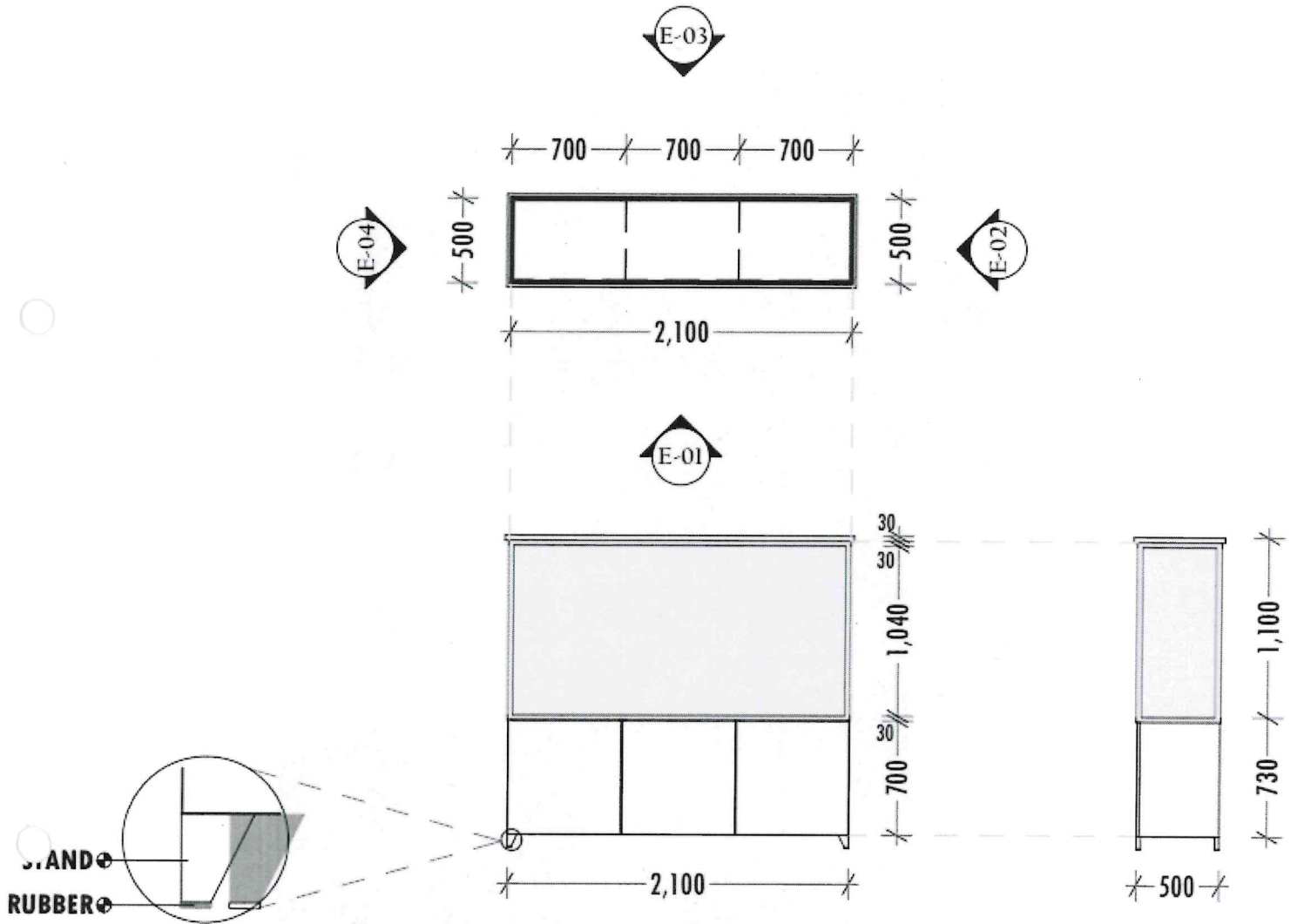
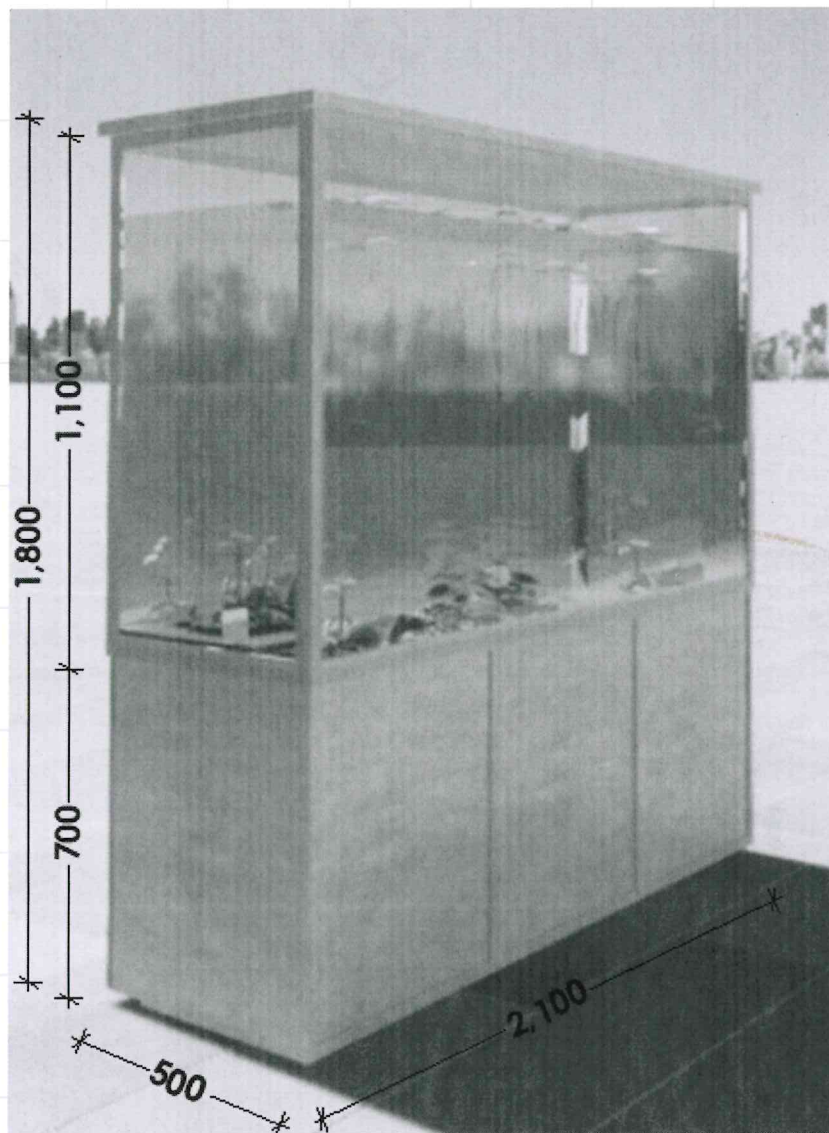


Appendix I

Detail 01 - Proposed Aquarium



Detail 02- Artistic Impression



Barbara
24.04.2024