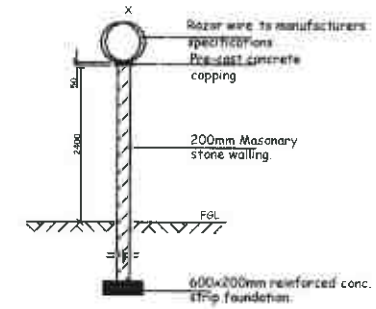
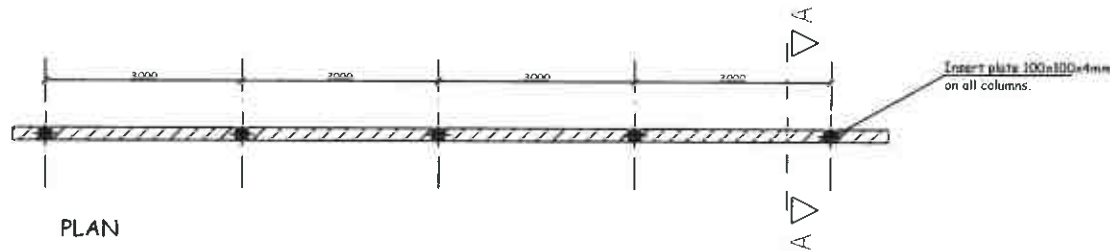


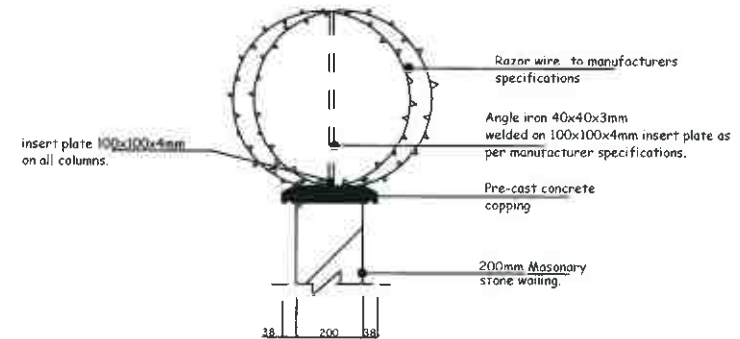
FRONT VIEW



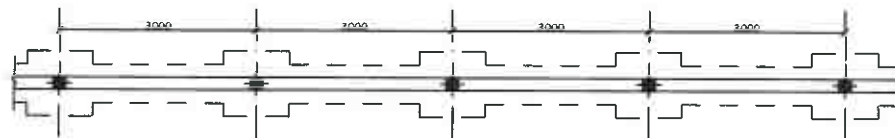
SECTION A - A



PLAN



DETAIL X



FOUNDATION PLAN

NAME	DATE	SIGN	REF	REVISION	DATE	SIGN	CHECKED	DATE
APPROVED								
CHECKED								
ENGINEER								
PRINCIPAL ENGINEER								
DRAWN								
TRACED								

DETAILS OF SECURITY FENCE AT PRIMARY SUB - STATION

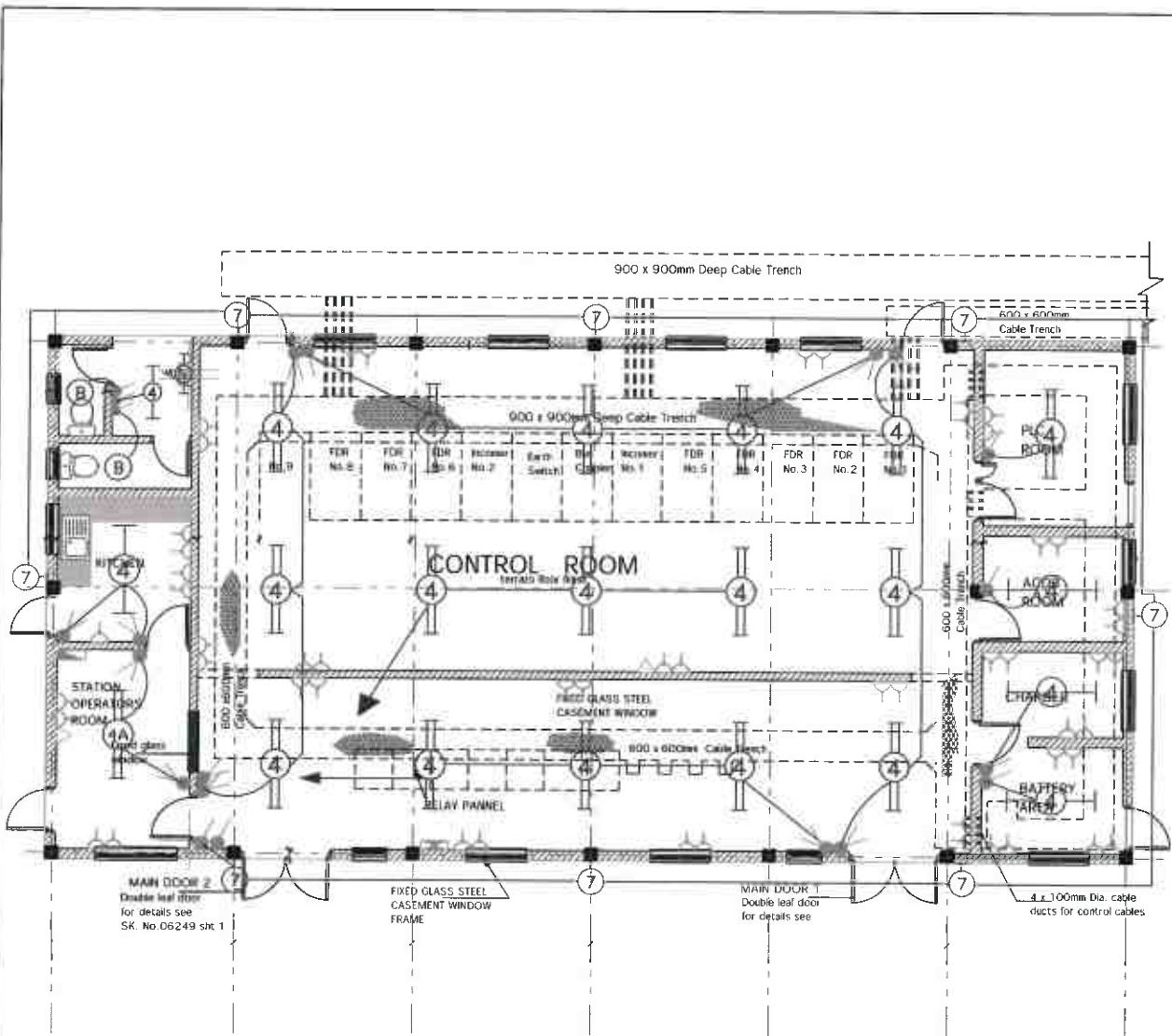
SCALE 1 : 50

SHEET 1A

K.P.&L.Co.Ltd



SK. No. 07044/B



SYMBOL	ELECTRICAL LEGEND	LIST NO.
(7)	VARIABLE RESISTANT FLUORESCENT BULBHEAD AS TERMITE PATROL BHPMP 2006 COMPLETE WITH 220W/15 3000MM LAMPS	
(8)	100W CEILING SPHERE COMPLETE WITH LAMP AS THORN CAT NO. MTC 3100. (OR 100W) 60 WATTS OR ABOVE	
(4)	1200mm x 4 30W FLUOR FLD COMP WITH TUBE AS THORN CAT NO. PP 236	
(4)	1200mm x 4 30W FLUOR FLD COMP WITH TUBE AS THORN CAT NO. PP 236	
(4)	800mm x 180mm FLUORESCENT FIT COMPLETE WITH TUBE AS THORN CAT NO. PP118	
(4)	12W WALL MOUNTED SHUTTERED SHOWER SOCKET (115/230) AND ON / OFF PULL SWITCH SIMILAR TO THORN VIEWPOINT FLUORESCENT	
(4)	13 AMP SWITCH SOCKET OUTLET SIMILAR AS CHAMBEREE	
(4)	13 AMP SWITCH SOCKET OUTLET TWIN AS CHAMBEREE	
(4)	TELEPHONE OUTLET AS CHAMBEREE	
(4)	TELEVISION OUTLET AS CHAMBEREE	
(4)	10 AMP GANG ONE WAY PLATE SWITCH AS CHAMBEREE	
(4)	10 AMP GANG ONE WAY PLATE SWITCH AS CHAMBEREE	
(4)	10 AMP GANG ONE WAY PLATE SWITCH AS CHAMBEREE	
(4)	CONSUMER CONTROL UNIT	
(4)	COOKER CONTROL UNIT	
(4)	DISTRIBUTION BOARD	

GROUND FLOOR PLAN

APPROVED	NAME	DATE	SIGN

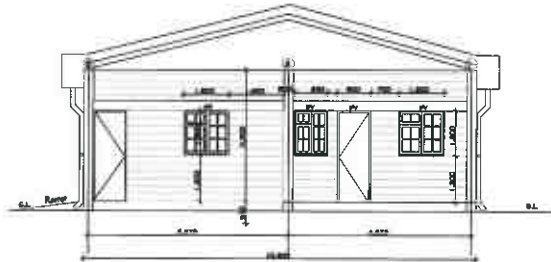
REV	REVISION	DATE	SIGN	CHECKED	DATE
1					
2					
3					
4					
5					

**DETAILS OF 11KV. CONTROL ROOM FOR UPTO 13 PANELS
(FROM 7.5 MVA TX INDOOR S/STN)**

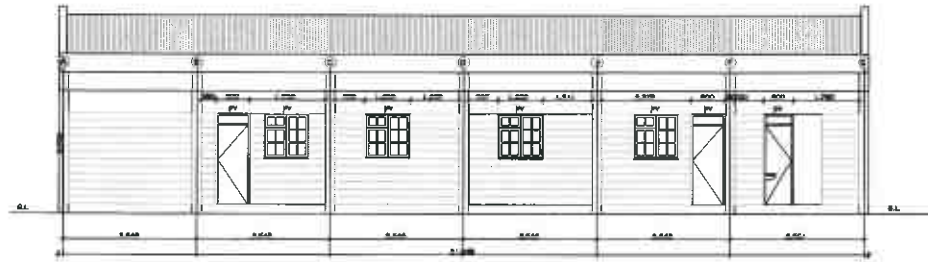
SHEET 1C



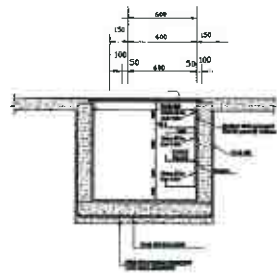
K.P.&L.Co.Ltd
SK. No. 08280/B



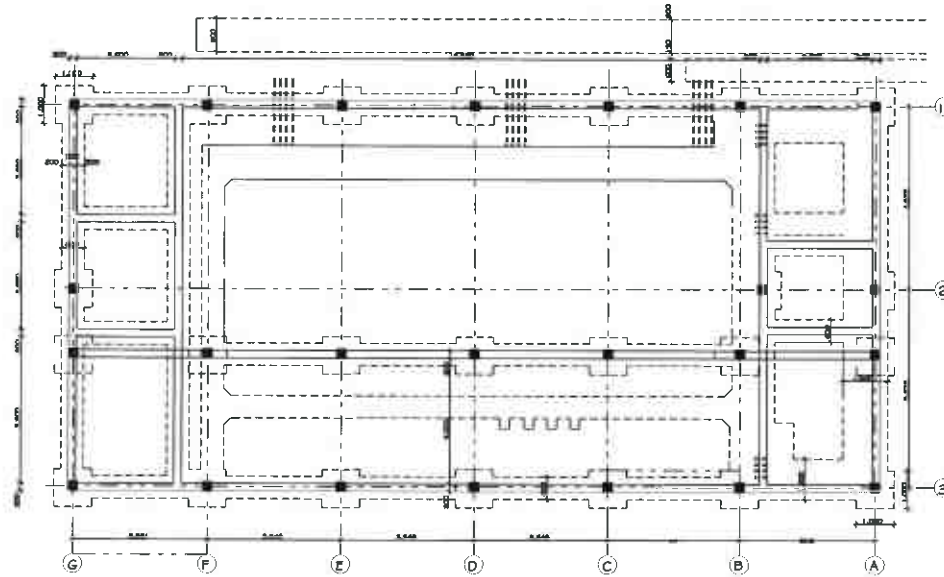
ELEVATION 04



ELEVATION 03



TRENCH DETAIL



FOUNDATION FLOOR PLAN

APPROVED	NAME	DATE	REVISION	DATE	REVISION	DATE	REVISION	DATE
CHECKED			2/3					
DESIGNED	B. GAJIB		2					
DRAWN	JACKSON	08/08/2017	4					
TRACED			2					
			4					

**DETAILS OF 11KV. CONTROL ROOM FOR UPTO 13 PANNELS
(FROM 7.5 MVA TX INDOOR S/STN)**

SCALE 1 : 50

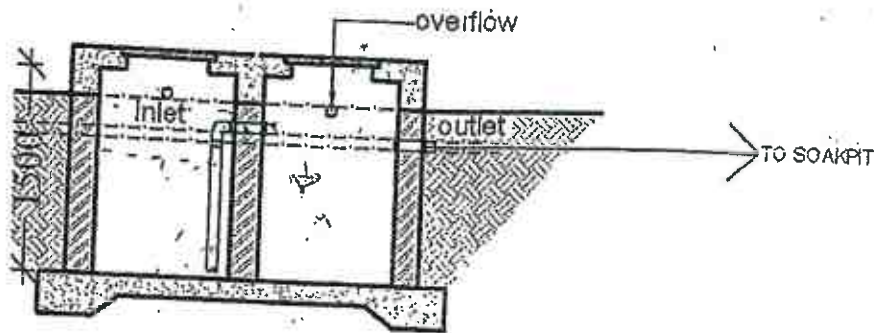
SHEET 1A

K.P.&L.Co.Ltd

SK. No. 08280/B

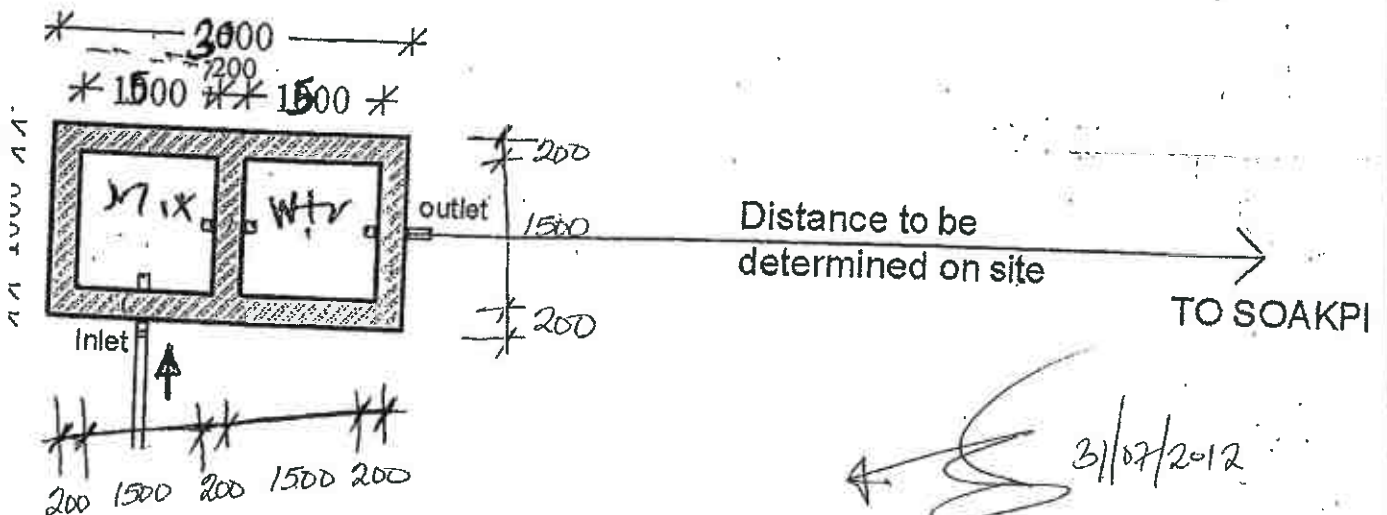


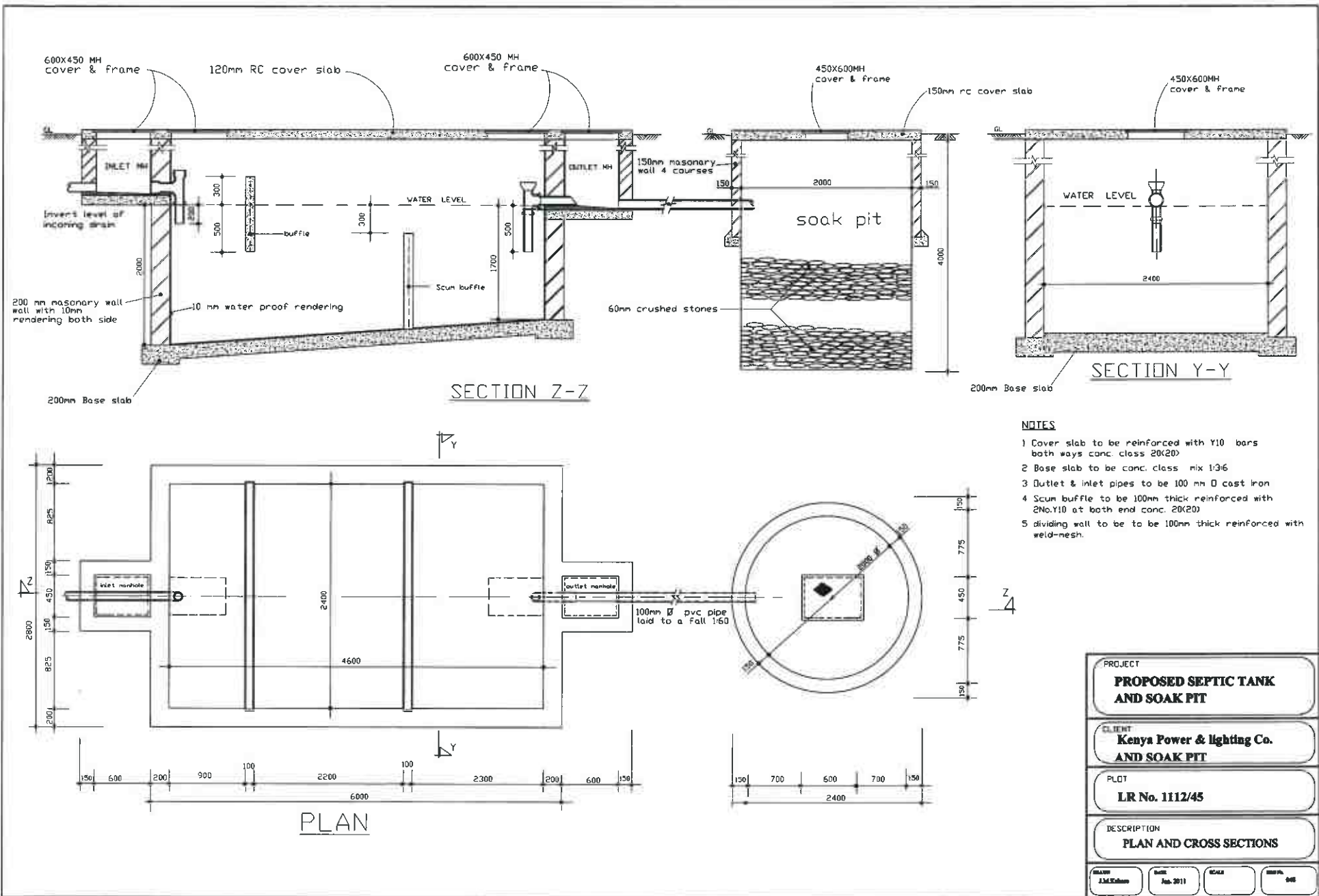
OIL SUMP DETAILS



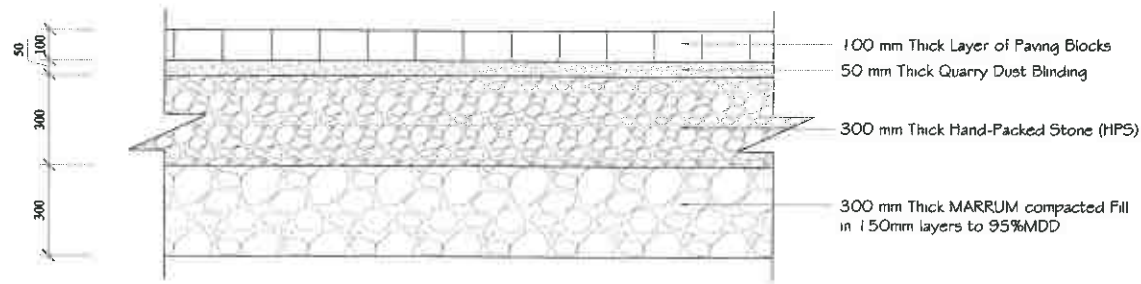
section

OIL INTERCEPTOR

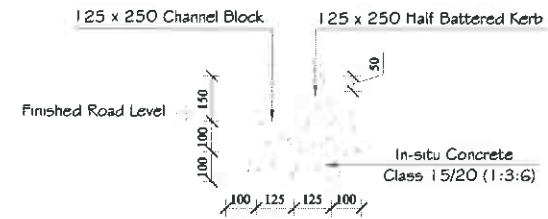




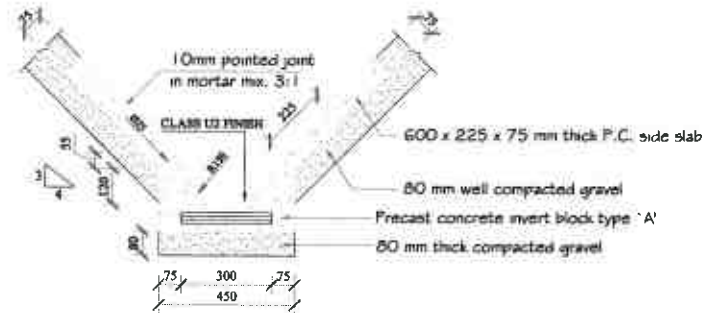
PROJECT			
PROPOSED SEPTIC TANK AND SOAK PIT			
CLIENT			
Kenya Power & Lighting Co. AND SOAK PIT			
PLOT			
LR No. 1112/45			
DESCRIPTION			
PLAN AND CROSS SECTIONS			
DRAWN	DATE	SCALE	SHEET NO.
J.M.Kabon	Feb. 2011		005



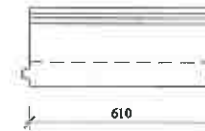
ROAD SECTION DETAIL
(Scale 1:25)



KERB AND CHANNEL
(Scale 1:25)



END ELEVATION



SIDE ELEVATION

INVERT BLOCK DRAIN TYPE 'A' ASSEMBLY DETAIL

(Scale 1:25)

	NAME	DATE	SIGN
APPROVED			
CHECKED ENGINEER/KC	D. MWANGI		
CHECKED HEAD DRAIN	B. Gallo		
CHECKED SUPERVISOR			
DRAWN	D. MWANGI	07/06/2020	Kahara
SURVEYED			
TRACED			

REF	REVISION	DATE	SIGN	CHECKED	DATE

CIVIL WORKS DETAILS SUBSTATION

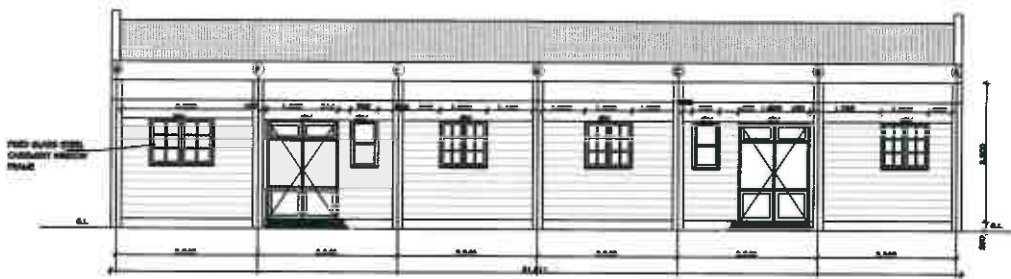
SCALE: 1:100

SHEET 2A

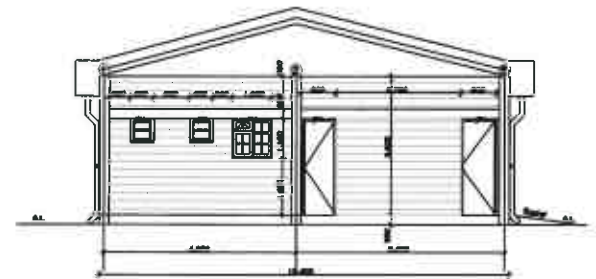
K.P. & L. Co. LTD.

S.K. No. 05821

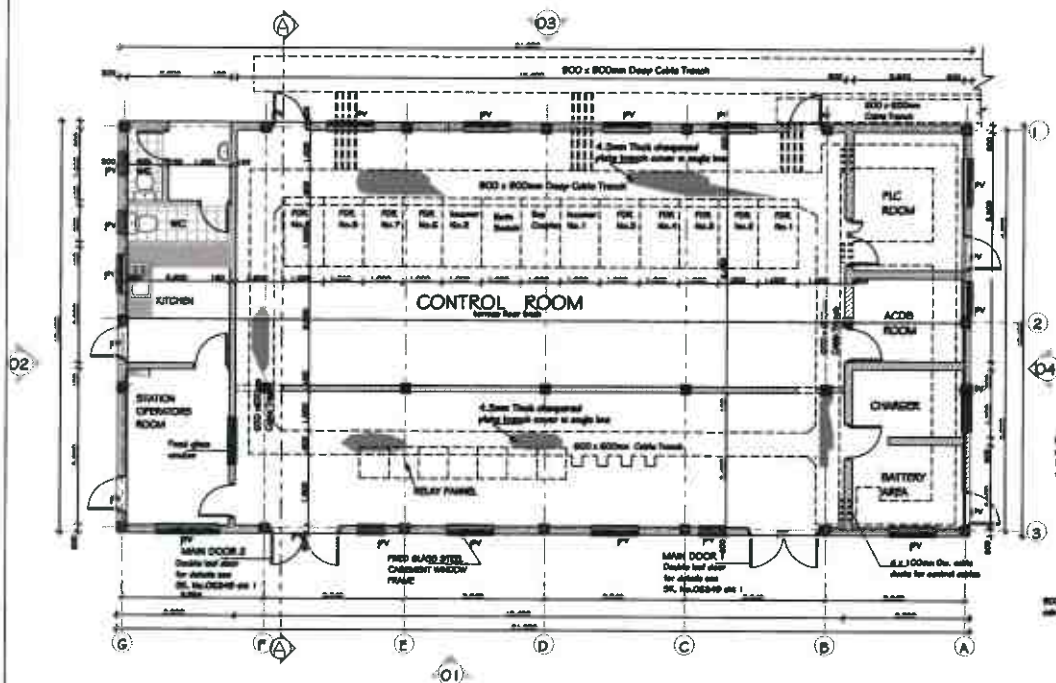




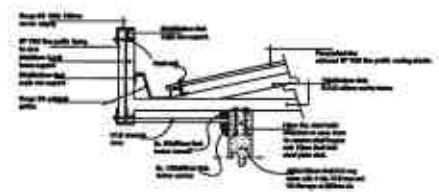
ELEVATION 01



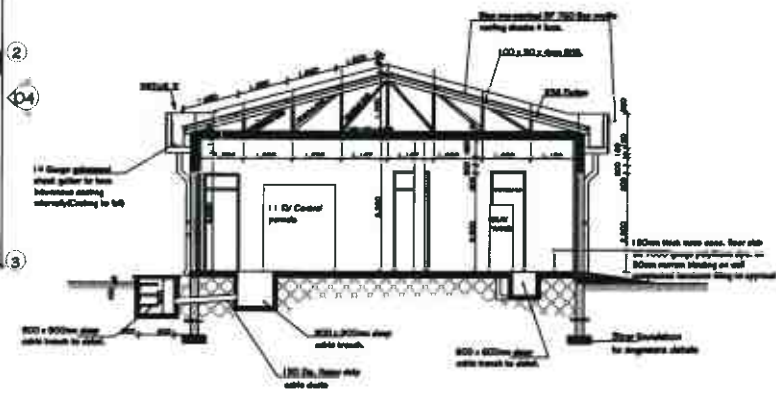
ELEVATION 02



GROUND FLOOR PLAN



DETAIL X



SECTION A - A

APPROVED	NAME	DATE	REV	REVISION	DATE	REV	CHECKED	DATE
CHECKED	SINGHANI, M.C.		1					
CHECKED	PERCIVAL, D.M.A.M.	8.04.2010	2					
DESIGN	J.M.E.S.		3					
TRACED			4					
			5					
			6					

**DETAILS OF 11KV. CONTROL ROOM FOR UPTO 13 PANNELS
(FROM 7.5 MVA TX INDOOR S/STN)**

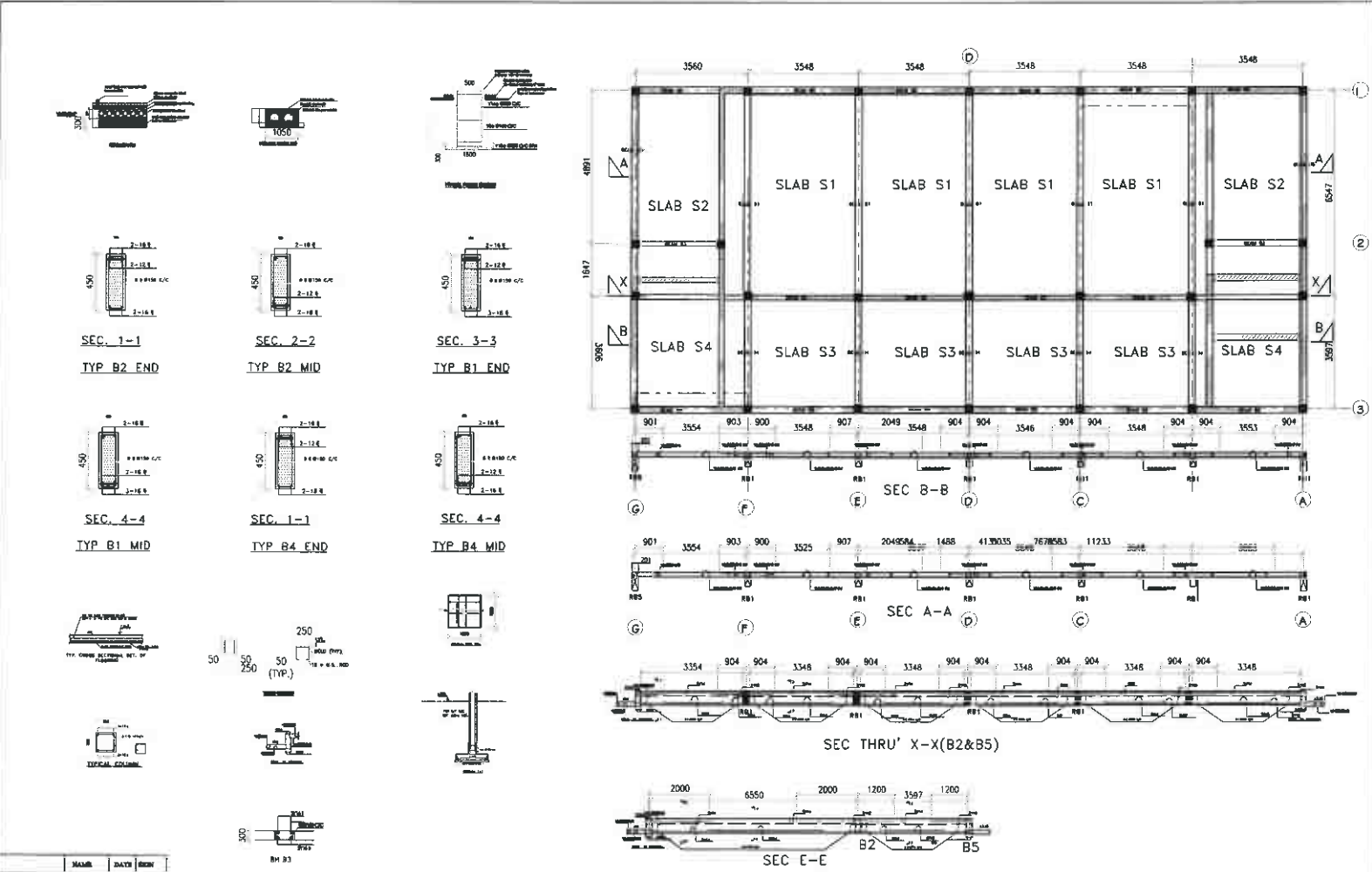
SCALE 1:100

SHEET 1B



K.P.&L. Co. Ltd

SK. No. 00200/B



APPROVED	NAME	DATE	SIGN

CHECKED	DATE	BY	DATE	BY	DATE	BY	DATE	BY

11KV. CONTROL ROOM RCC & CIVIL WORKS

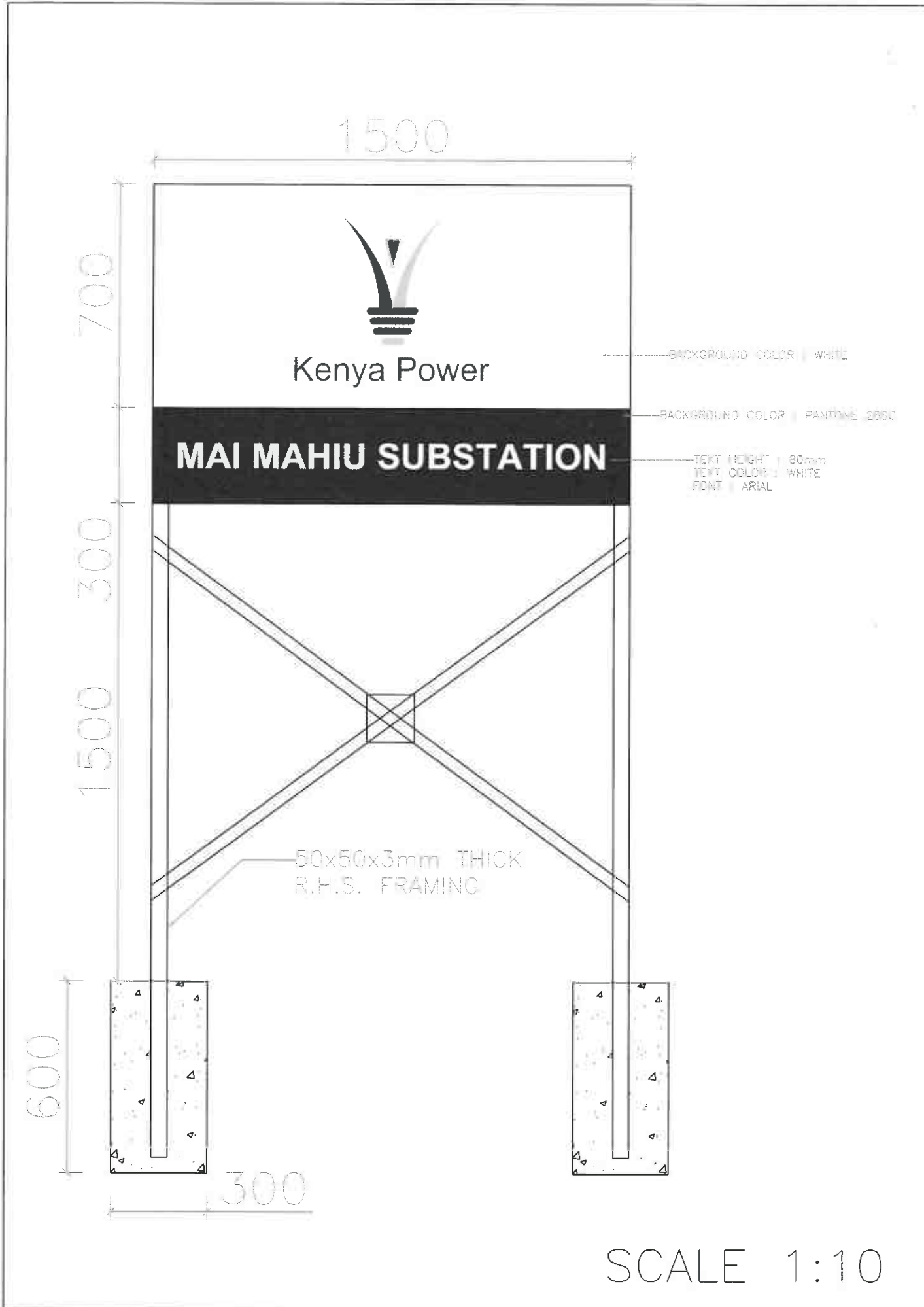
SCALE 1:50

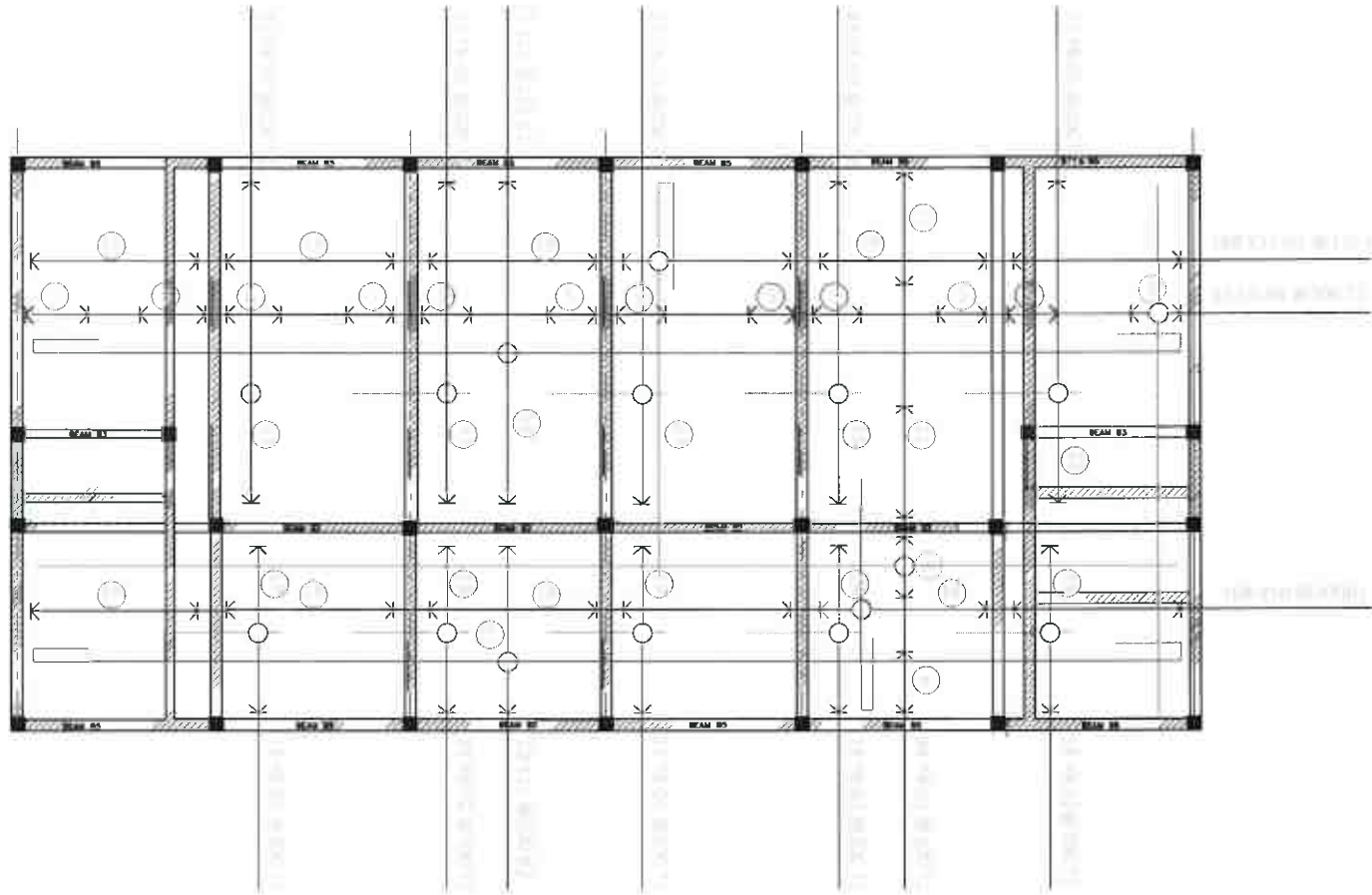
SHEET 1D



K.P.&L.Co.Ltd

SK. No. 08280/B





	NAME	DATE	REV
APPROVED			
DESIGNED	D. SIVANAND		1
CHECKED	S. SURESH		2
DRAWN	J. SURESH		3
TRACE			4

REV	REVISION	DATE	REV	CHECKED	DATE

11KV. CONTROL ROOM RCC TOP SLAB DETAIL

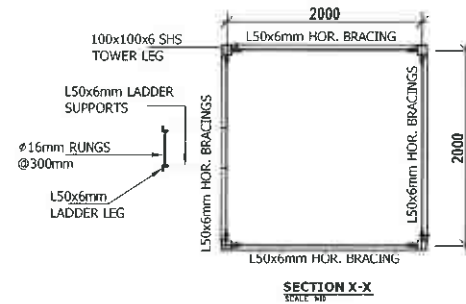
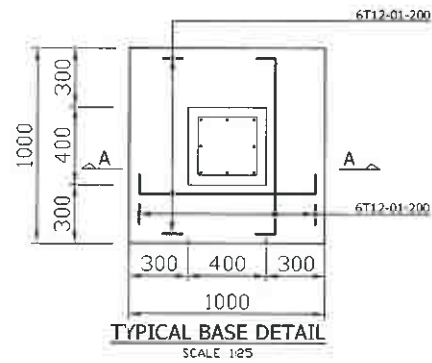
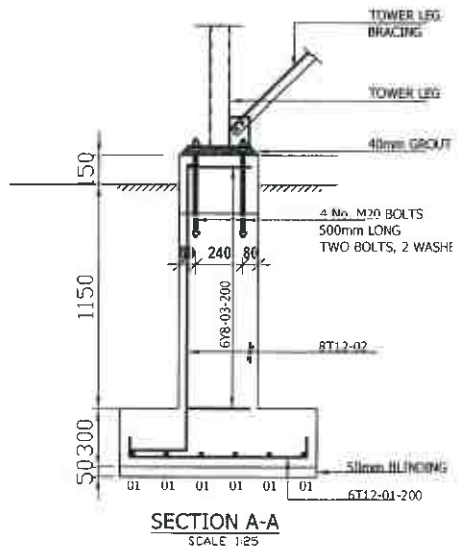
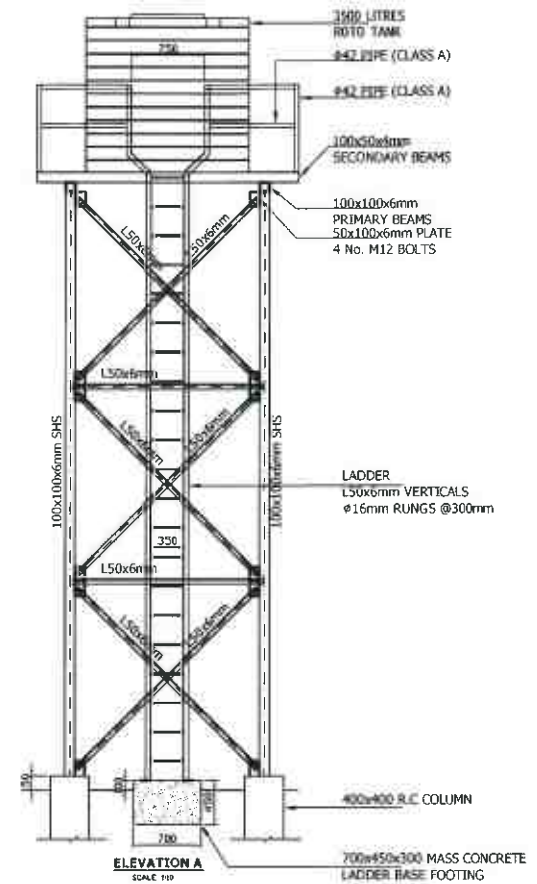
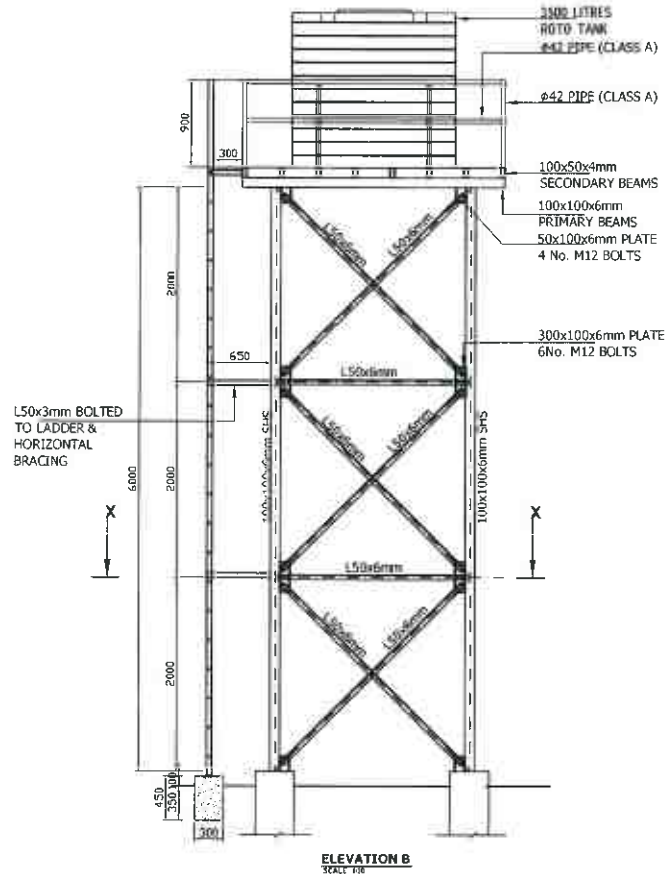
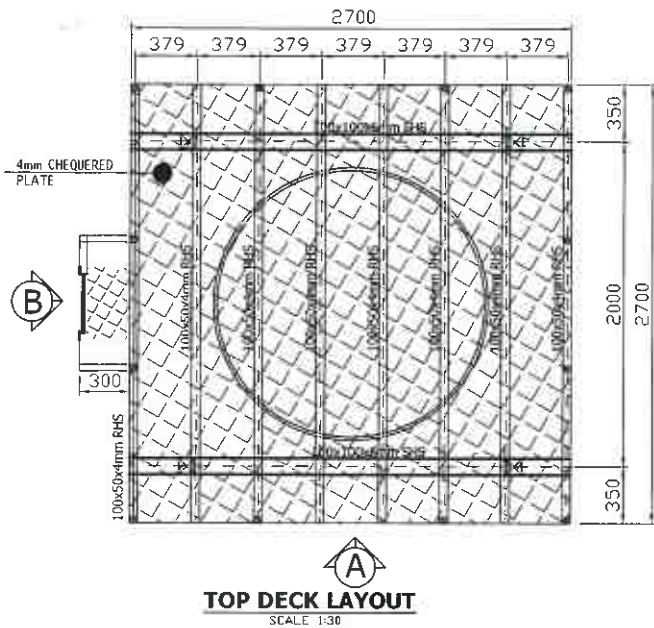
SCALE 1 : 50

SHEET 1E

K.P.&L.Co.Ltd

SK. No. 06290/B





PROJECT	SIAYA KPLC
CLIENT	KENYA POWER
DESIGN	J.K
DRAWN	J.K
DATE	FEB 2018